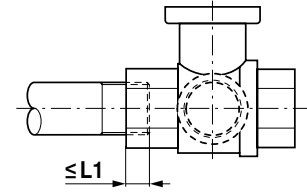
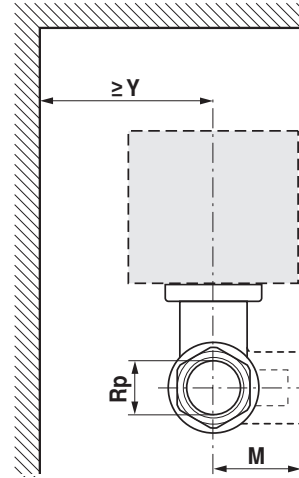
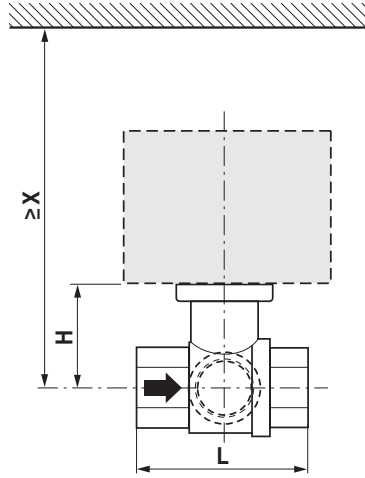
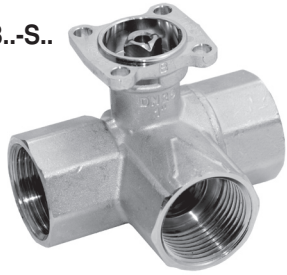


R2..-S..



R3..-S..

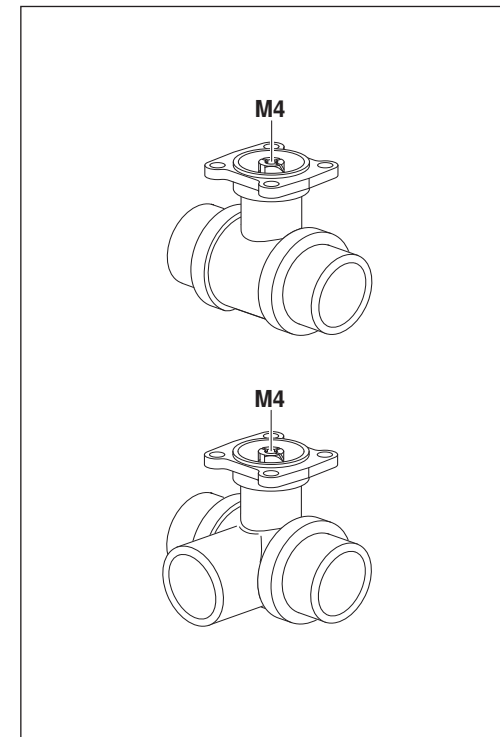
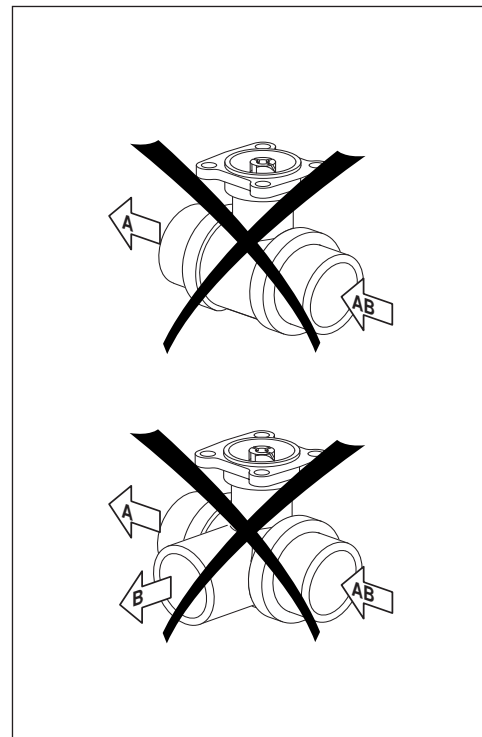
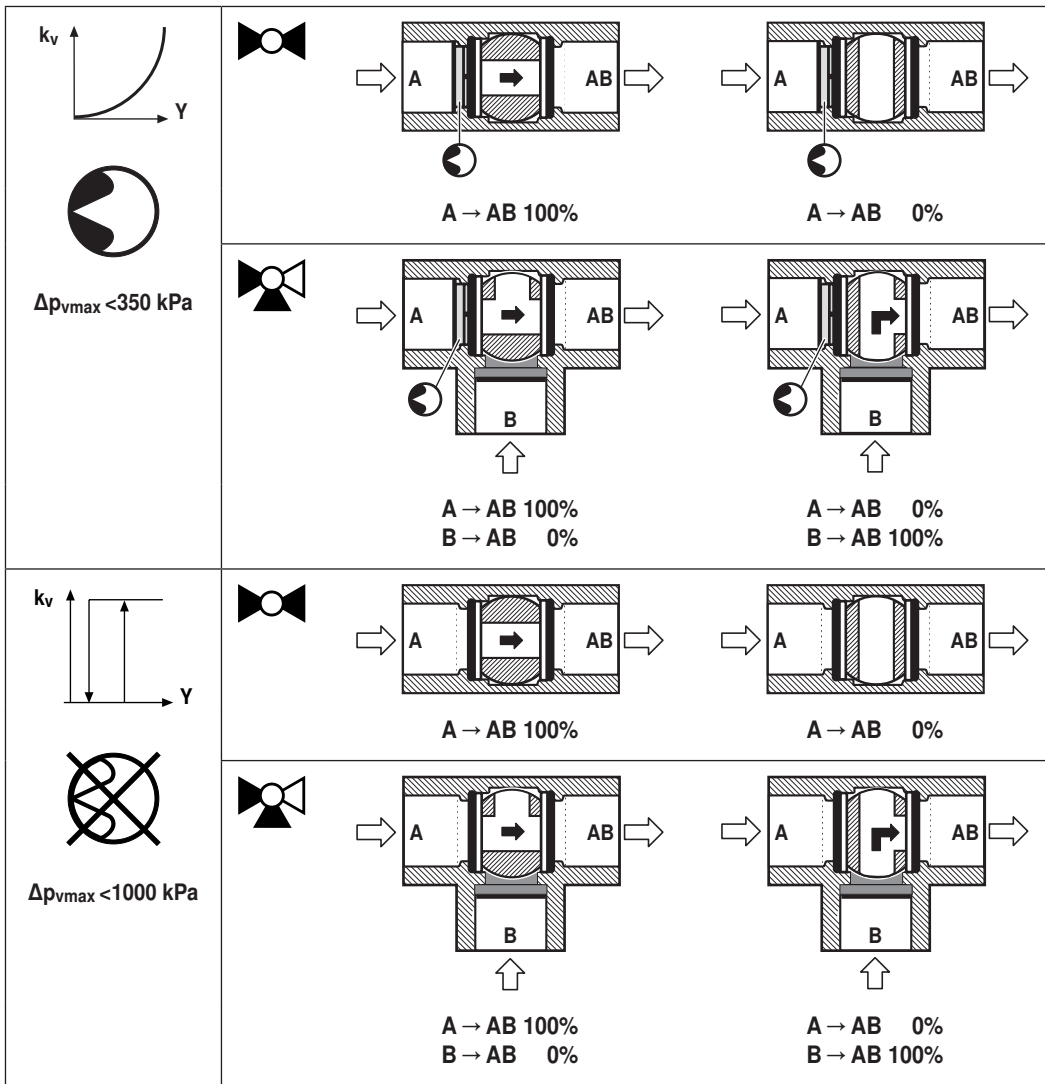


71746-00001.D



t -10 ... +120 °C		PN DN15...25 DN32...50	PN40 PN25	mm				TR..		LR..A		NR..A		SR..A		TRF..		LRF..		NRF..A		SRF..A		
		DN	Rp	L	H	M	L1	X	Y	X	Y	X	Y	X	Y	X	Y	X	Y	X	Y	X	Y	
		mm	"																					
R2015..-S1	R3015..-S1	15	1/2"	67	44	36	13	185	75							190	80							
R2020..-S1	R3020..-S1	20	3/4"	79	44	41.5	14	185	75							190	80							
R2020..-S2	R3020..-S2	20	3/4"	79	46	41.5	14			200	75							205	90					
R2025..-S2	R3025..-S2	25	1"	87	46	45	16			200	75							205	90					
R2032..-S2	R3032..-S2	32	1 1/4"	105	46	55.5	19			200	75	240	80					205	90					
R2032-S2* R2032-25-S3	R3032..-S3	32	1 1/4"	105	50.5	56	19			205	75	240	80					210	90	230	90			
R2040..-S2*		40	1 1/2"	111	50.5		19			205	75	240	80					210	90	230	90			
	R3040..-S3	40	1 1/2"	111	50.5	56	19					240	80							230	90			
R2040-40-S4	R3040..-S4	40	1 1/2"	122	62	66.5	19							256	80							240	90	
R2050..-S3		50	2"	125	56		22					247	80									236	90	
	R3050..-S4	50	2"	125	56	68	22							245	80								235	90
R2050-58-S4 R2050-70-S4	R3050-40-S4 R3050-58-S4	50	2"	142	68	79	22							262	80								252	90
R2065-150-S4		65	1 1/2"	153	68		27							262	80								252	90
R2080-150-S4		80	3"	160	68		30							262	80								252	90

*R2032-16-S2, R2032-S2, R2040-16-S2, R2040-25-S2 and R2040-S2: using NR/NRF actuators for application temperature > 70 °C.



 	 A → AB 100%	 A → AB 0%
	B → AB 0%	B → AB 100%

