

Globe valve actuator for 2-way and 3-way globe valves

- Actuating force 2500 N
- Nominal voltage AC 230 V
- Control Open-close, 3-point
- Nominal stroke 50 mm



**Technical data**

<b>Electrical data</b>	Nominal voltage	AC 230 V
	Nominal voltage frequency	50/60 Hz
	Nominal voltage range	AC 85...265 V
	Power consumption in operation	5.5 W
	Power consumption in rest position	1 W
	Power consumption for wire sizing	9.5 VA
	Connection supply / control	Terminals 4 mm <sup>2</sup> (cable Ø 4...10 mm)
	Parallel operation	Yes (note the performance data)
<b>Functional data</b>	Actuating force motor	2500 N
	Manual override	with push-button, can be locked
	Nominal stroke	50 mm
	Running time motor	150 s / 40 mm (188 s / 50 mm)
	Sound power level motor	56 dB(A)
	Position indication	Mechanically, 5...50 mm stroke
<b>Safety</b>	Protection class IEC/EN	II reinforced insulation
	Protection class UL	UL Class 2 Supply
	Degree of protection IEC/EN	IP54
	Degree of protection NEMA/UL	NEMA 2, UL Enclosure Type 2
	EMC	CE according to 2014/30/EU
	Low voltage directive	CE according to 2014/35/EU
	Certification IEC/EN	IEC/EN 60730-1 and IEC/EN 60730-2-14
	Certification UL	cULus according to UL60730-1A, UL60730-2-14 and CAN/CSA E60730-1:02
	Mode of operation	Type 1
	Rated impulse voltage supply / control	4 kV
	Control pollution degree	3
	Ambient temperature	0...50°C
	Non-operating temperature	-40...80°C
Ambient humidity	Max. 95% r.h., non-condensing	
Maintenance	Maintenance-free	
<b>Weight</b>	Weight	7.4 kg

**Safety notes**


- This device has been designed for use in stationary heating, ventilation and air conditioning systems and must not be used outside the specified field of application, especially in aircraft or in any other airborne means of transport.
- Outdoor application: only possible in case that no (sea)water, snow, ice, insolation or aggressive gases interfere directly with the actuator and that is ensured that the ambient conditions remain at any time within the thresholds according to the data sheet.
- Only authorised specialists may carry out installation. All applicable legal or institutional installation regulations must be complied during installation.
- The switch for changing the direction of motion and so the closing point may be adjusted only by authorised specialists. The direction of motion is critical, particularly in connection with frost protection circuits.
- The device may only be opened at the manufacturer's site. It does not contain any parts that can be replaced or repaired by the user.

## Safety notes

- The device contains electrical and electronic components and must not be disposed of as household refuse. All locally valid regulations and requirements must be observed.

## Product features

<b>Installation on third-party valves</b>	The retrofit actuators for installation on a wide range of valves from various manufacturers are comprised of an actuator, universal valve neck adapter and universal valve stem adapter. Adapt the valve neck and valve stem to begin with, then attach the retrofit actuator to the valve neck adapter, connect to the valve and start up. The valve neck adapter/actuator can be rotated through 360° on the valve neck, provided it is permitted by the size of the installed valve.
<b>Installation on Belimo valves</b>	Use standard actuators from Belimo for mounting on Belimo globe valves. The installation of retrofit actuators on Belimo globe valves is technically possible.
<b>Manual override</b>	Manual override with push-button possible (the gear is disengaged for as long as the button is pressed or remains locked). The stroke can be adjusted by using a hexagon socket screw key (5 mm), which is inserted into the top of the actuator. The stroke spindle extends when the key is rotated clockwise.
<b>High functional reliability</b>	The actuator is overload protected, requires no limit switches and automatically stops when the end stop is reached.
<b>Position indication</b>	The stroke is indicated mechanically on the bracket with tabs. The stroke range adjusts itself automatically during operation.
<b>Home position</b>	Factory setting: Actuator spindle is retracted.
<b>Setting direction of stroke</b>	When actuated, the direction of stroke switch changes the running direction in normal operation.
<b>Restriction 3-point controller</b>	Steps must be taken to ensure that the pulsating 3-point controller stops when the end position is reached. If this is not possible on the system side, the multifunctional 24V version of the actuator (EV24A-MP-..) must be used.

## Accessories

	Description	Type
Electrical accessories	Auxiliary switch, 2 x SPDT, add-on, grey	S2A-H

## Electrical installation

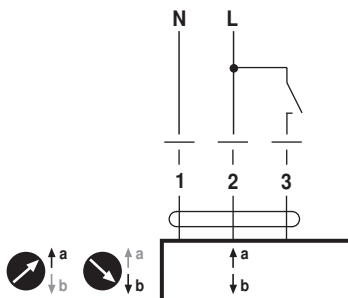


### Notes

- Caution: Power supply voltage!
- Parallel connection of other actuators possible. Observe the performance data.
- Direction of stroke switch factory setting: Actuator spindle retracted.

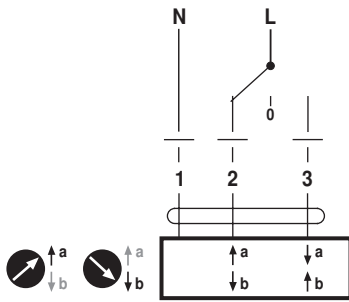
## Wiring diagrams

AC 230 V, open-close (one-wire)

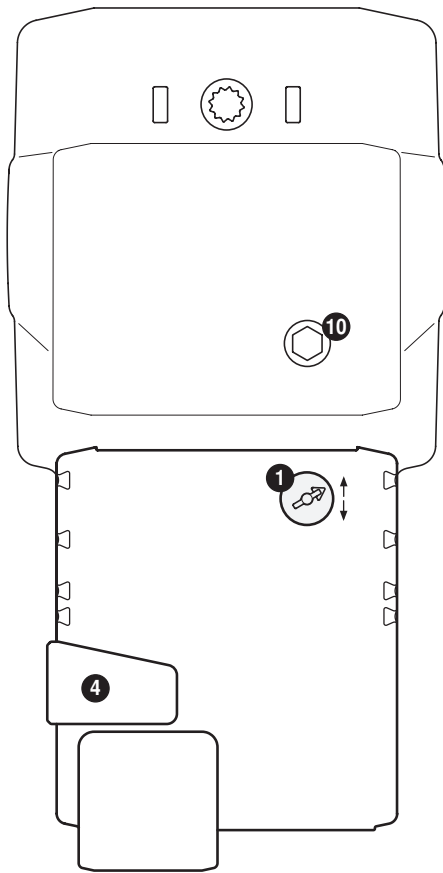


## Electrical installation

AC 230 V, 3-point



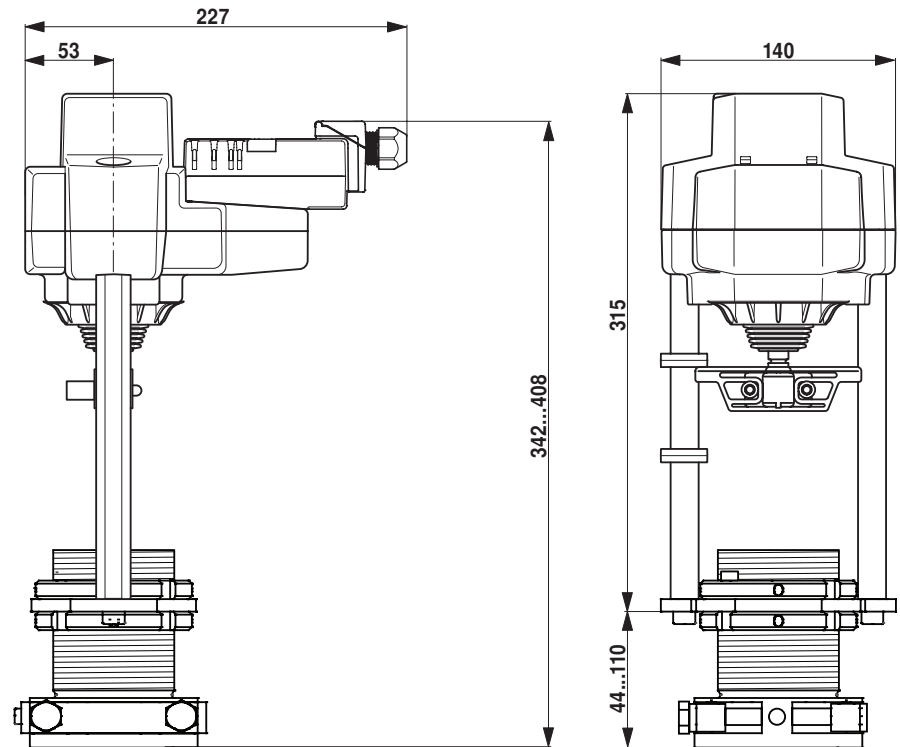
## Operating controls and indicators



- 1 Direction of stroke switch**  
 Switch over: Direction of stroke changes
- 4 Gear disengagement button**  
 Press button: Gear disengages, motor stops, manual override possible  
 Release button: Gear engages, standard mode
- 10 Manual override**  
 Clockwise: Actuator spindle extends  
 Counterclockwise: Actuator spindle retracts

## Dimensions [mm]

## Dimensional drawings



## Further documentation

- Installation instructions for actuators